



## BD440 – BD442

### SILICON PNP POWER TRANSISTORS.

The BD440-BD442 are PNP Transistors mounted in Jedec TO-126 plastic package. They are recommended for use in medium power linear and switching applications. NPN complements are BD439-BD441. Compliance to RoHS.

#### ABSOLUTE MAXIMUM RATINGS

Symbol	Ratings	Value	Unit	
$V_{CBO}$	Collector-Base Voltage ( $I_E = 0$ )	BD440	-60	V
		BD442	-80	
$V_{CEO}$	Collector-Emitter Voltage ( $I_B = 0$ )	BD440	-60	V
		BD442	-80	
$V_{EBO}$	Emitter-Base Voltage ( $I_C = 0$ )	-5	V	
$I_C$	Collector Current	-4	A	
$I_{CM}$	Collector Current Peak	-7		
$I_B$	Base Current	-1	A	
$P_C$	Total power Dissipation	$T_C = 25^\circ\text{C}$ 36	W	
$T_J$	Junction Temperature	150	$^\circ\text{C}$	
$T_{Stg}$	Storage Temperature	-65 to +150	$^\circ\text{C}$	

#### THERMAL CHARACTERISTICS

Symbol	Ratings	Value	Unit
$R_{thJ-c}$	Thermal Resistance, Junction-Case	3.5	$^\circ\text{C/W}$
$R_{thJ-a}$	Thermal Resistance, Junction-ambient in free air	100	$^\circ\text{C/W}$

## BD440 – BD442

### ELECTRICAL CHARACTERISTICS

TC=25°C unless otherwise noted

Symbol	Ratings	Test Condition(s)	Min	Typ	Max	Unit		
$I_{CBO}$	Collector cut-off current	$I_E = 0, V_{CB} = -60\text{ V}$	BD440	-	-	-100	$\mu\text{A}$	
		$I_E = 0, V_{CB} = -80\text{ V}$	BD442					
$I_{CES}$	Collector cut-off current	$V_{BE} = 0, V_{CE} = -60\text{ V}$	BD440	-	-	-100		$\mu\text{A}$
		$V_{BE} = 0, V_{CE} = -80\text{ V}$	BD442					
$I_{EBO}$	Emitter cut-off current	$I_C = 0$	BD440	-	-	-1	mA	
		$V_{EB} = -5\text{ V}$	BD442					
$V_{CEO(SUS)}$	Collector-Emitter sustaining Voltage (*)	$I_B = 0$	BD440	-60	-	-		V
		$I_C = -100\text{ mA}$	BD442	-80	-	-		
$V_{CE(SAT)}$	Collector-Emitter saturation Voltage (*)	$I_C = -2\text{ A}$	BD440	-	-	-0.8	V	
		$I_B = -200\text{ mA}$	BD442					
$V_{BE}$	Base-Emitter Voltage(*)	$I_C = -10\text{ mA}$	BD440	-	-0.58	-	V	
		$V_{CE} = -5\text{ V}$	BD442					
		$I_C = -2\text{ A}$	BD440	-	-	-1.5	V	
		$V_{CE} = -1\text{ V}$	BD442					
$h_{FE}$	DC Current Gain (*)	$I_C = -10\text{ mA}$	BD440	20	-	130	-	
		$V_{CE} = -5\text{ V}$	BD442	15	-	130		
		$I_C = -500\text{ mA}$	BD440	40	-	140		
		$V_{CE} = -1\text{ V}$	BD442					
		$I_C = -2\text{ A}$	BD440	25	-	-		
		$V_{CE} = -1\text{ V}$	BD442	15	-	-		
$f_T$	Transition frequency	$I_C = -250\text{ mA}$	BD440	3	-	-	MHz	
		$V_{CE} = -1\text{ V}$	BD442					

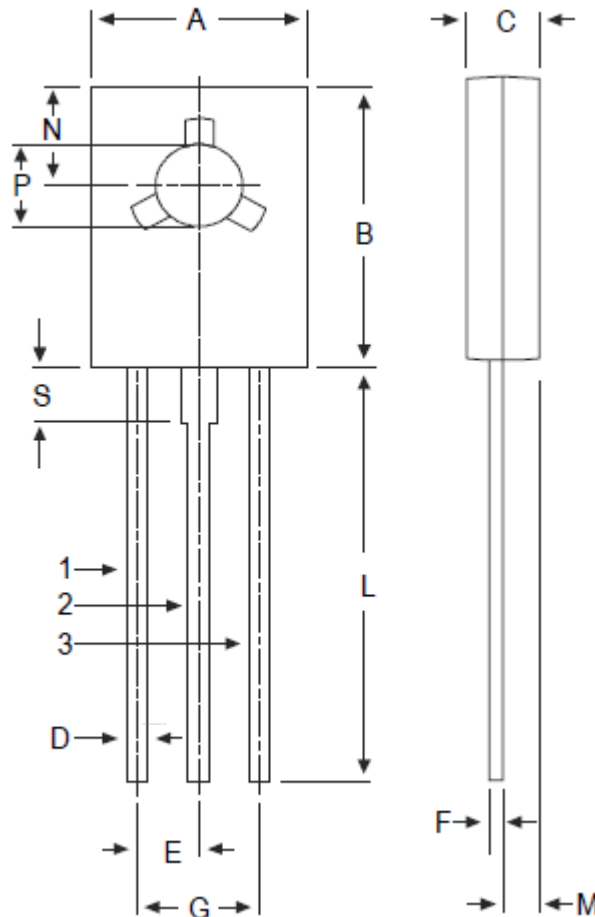
(\*) Measured under pulse conditions :  $t_p < 300\mu\text{s}$ ,  $\delta < 1.5\%$

## BD440 – BD442

### MECHANICAL DATA CASE TO-126

	DIMENSIONS	
	min	max
A	7.4	7.8
B	10.5	10.8
C	2.4	2.7
D	0.7	0.9
E	2.25 typ.	
F	0.49	0.75
G	4.4 typ.	
L	15.7 typ.	
M	1.27 typ.	
N	3.75 typ.	
P	3.0	3.2
S	2.54 typ.	

Pin 1 :	Emitter
Pin 2 :	Collector
Pin 3 :	Base



Revised August 2012

Information furnished is believed to be accurate and reliable. However, Comset Semiconductors assumes no responsibility for the consequences of use of such information nor for any infringement of patents or other rights of third parties which may result from its use. Data are subject to change without notice. Comset Semiconductors makes no warranty, representation or guarantee regarding the suitability of its products for any particular purpose, nor does Comset Semiconductors assume any liability arising out of the application or use of any product and specifically disclaims any and all liability, including without limitation consequential or incidental damages. Comset Semiconductors' products are not authorized for use as critical components in life support devices or systems.